



Accessory for pneumatic rotary actuators

- Combines the functions of a position feedback and a solenoid valve in one
- Available with 3/2 way, 5/2 way or without solenoid valve
- ATEX versions available
- Perfectly suited for pneumatic actuators: 2051 and 2052
- Adjustable bracket allows the combination with actuators in different sizes

Type 1061 combines the function of a position feedback and a solenoid valve in one box. It can be used with pneumatic rotary actuators of type 2051 and 2052, which are part of the system type 8805.

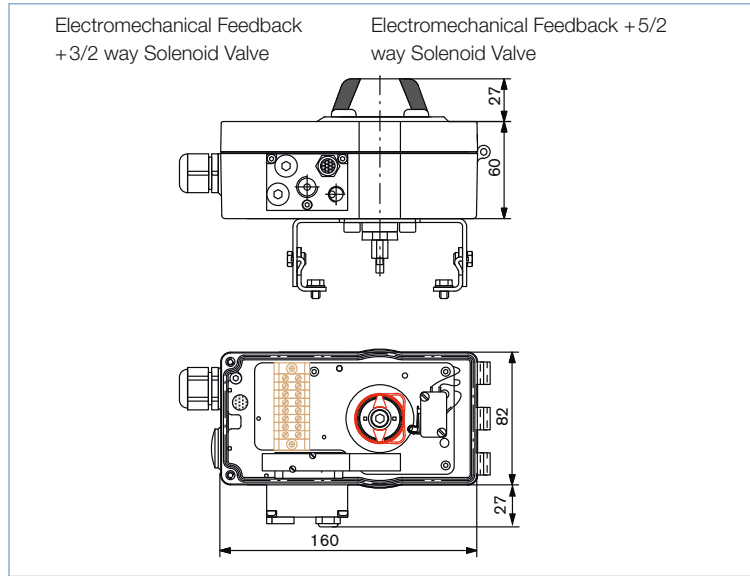
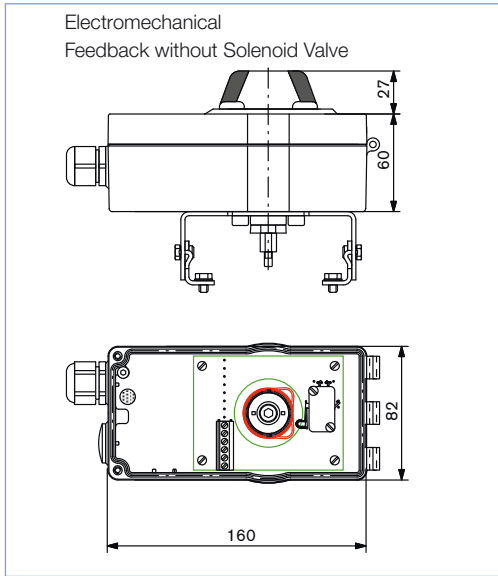
Type 1061 is available in different variations of limit switches (micro switches, inductive sensors) and solenoid valves (3/2 way, 5/2-way or without solenoid valve). Next to this, an ATEX version and variants with ASi fieldbus connections are also available.

Because of the several available variations, it perfectly meets the requirements of different applications and processes.

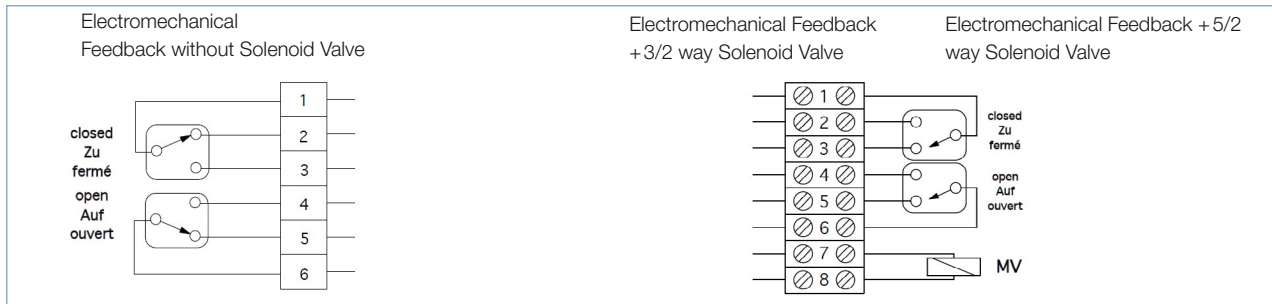
Technical data	
Housing	Aluminium
Base (powder-coated)	RAL9005
Cover (powder-coated)	RAL7016
Ingress protection	IP65
Seal	PUR
Bracket	Adjustable Hole gauge: 80/130 mm x 30 mm Height: 20/30 mm
Temperature	-25 °C...-10 °C up to 55 °C...85 °C
Limit Switches	
Micro Switches	Crouzet 83.161.3 Crouzet 83.161.8
Inductive Sensors	Pepperl+Fuchs NBB2-V3-E2 Pepperl+Fuchs NJ2-V3-N
Switching precision	< 1.5°
System connection	Cable gland M20 x 1.5 ASi Cable connector M12-connector, male, 4 pin
Solenoid valves	Without solenoid valve 3/2 way (type 6524) 5/2 way (type 6525)

1061 with Electromechanical Feedback

Dimensions



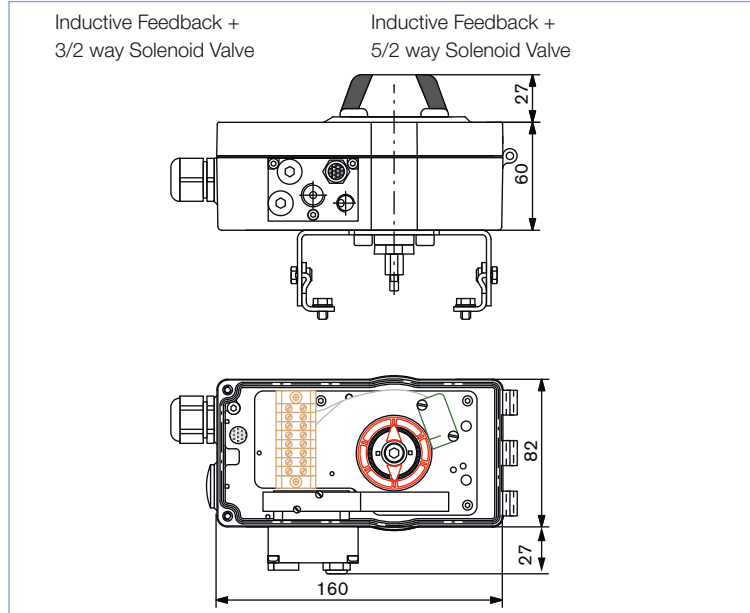
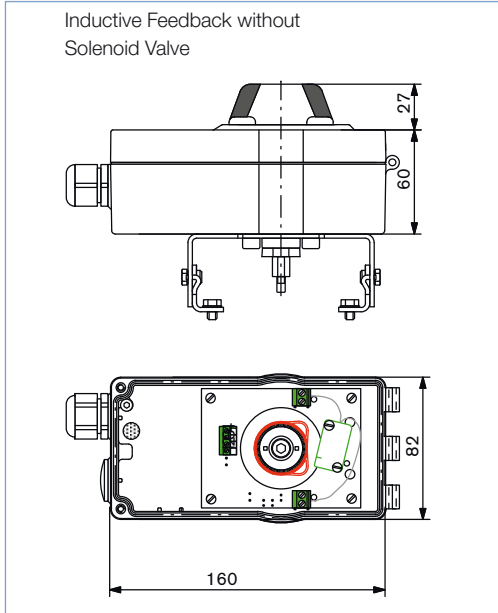
Terminal connection diagramm



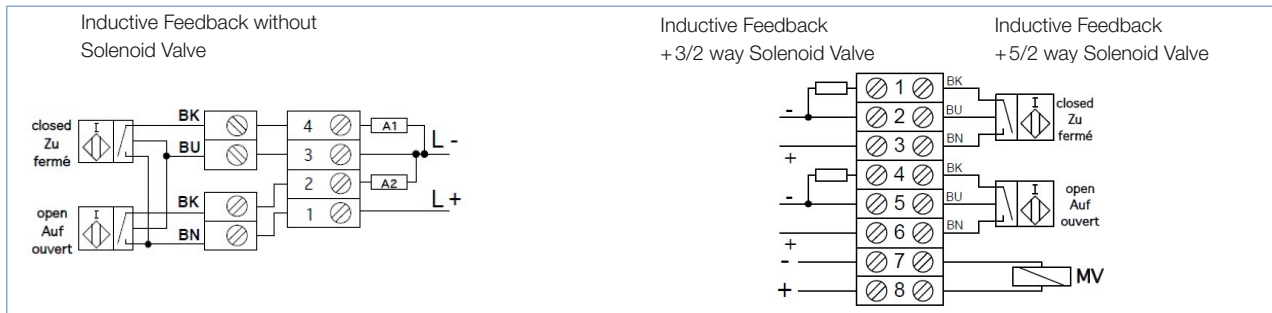
Technical Data	Electromechanical Feedback without Solenoid Valve	Electromechanical Feedback + 3/2 way Solenoid Valve	Electromechanical Feedback + 5/2 way Solenoid Valve
Housing and Seal			
Housing material	Aluminium	Aluminium	Aluminium
Base (powder-coated)	RAL9005	RAL9005	RAL9005
Cover (powder-coated)	RAL7016	RAL7016	RAL7016
Seal	PUR	PUR	PUR
Dome	Polycarbonate	Polycarbonate	Polycarbonate
Ingress Protection	IP65	IP65	IP65
Limit Switch			
Manufacturer	Crouzet	Crouzet	Couzet
Type	83.161.3 Micro switch	83.161.3 Micro switch	83.161.3 Micro switch
Switching capacity	4 A, 230 V AC	4 A, 230 V AC	4 A, 230 V AC
Contacts	silver nickel	silver nickel	silver nickel
Switching precision	< 1.5°	< 1.5°	< 1.5°
System connection	Cable gland M20×1.5 Clamp range 8 up to 13 mm	Cable gland M20×1.5 Clamp range 8 up to 13 mm	Cable gland M20×1.5 Clamp range 8 up to 13 mm
Terminals	Screw terminal up to 2.5 mm ²	Screw terminal up to 2.5 mm ²	Screw terminal up to 2.5 mm ²
Temperature	-25 °C up to 85 °C	-10 °C up to 55 °C	-10 °C up to 55 °C
Solenoid Valve			
Bürkert Type	-	6524 (ID-No. 207505 ☞)	6525 (ID-No. 207485 ☞)
Ways	-	3/2	5/2
Operating Voltage	-	24 V DC	24 V DC
Nominal Power	-	0.8 W	0.8 W
Nominal width	-	4 mm	4 mm
Supply / Exhaust air	-	G ¼, G ½	G ¼, G ½
Article no.			
	773151 ☞	773139 ☞	773140 ☞

1061 with Inductive Feedback

Dimensions



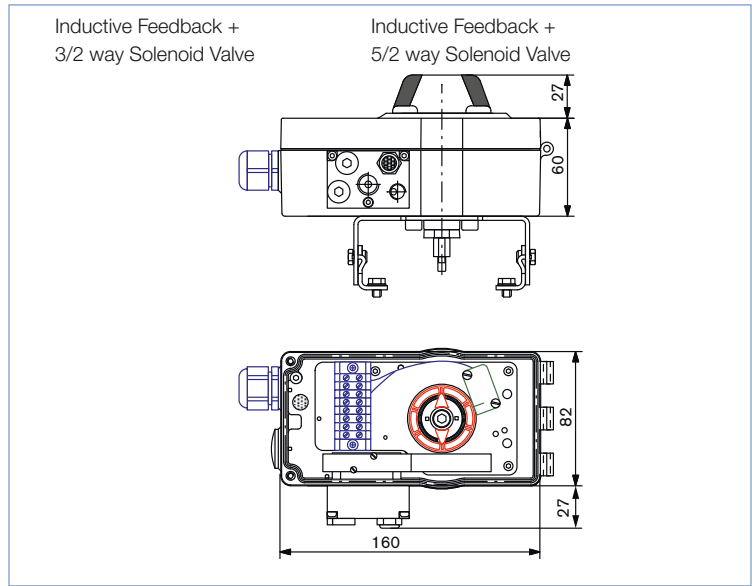
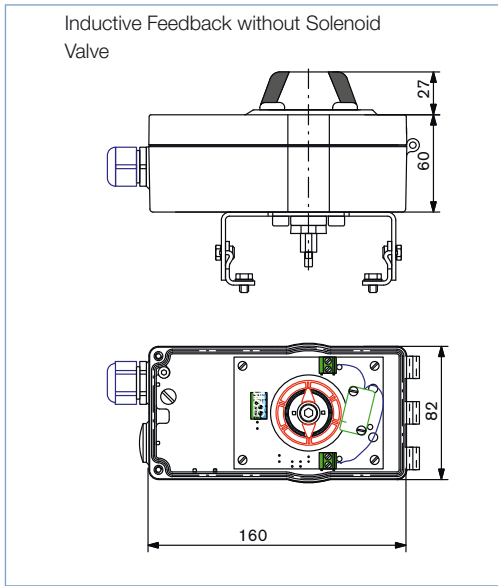
Terminal connection diagramm



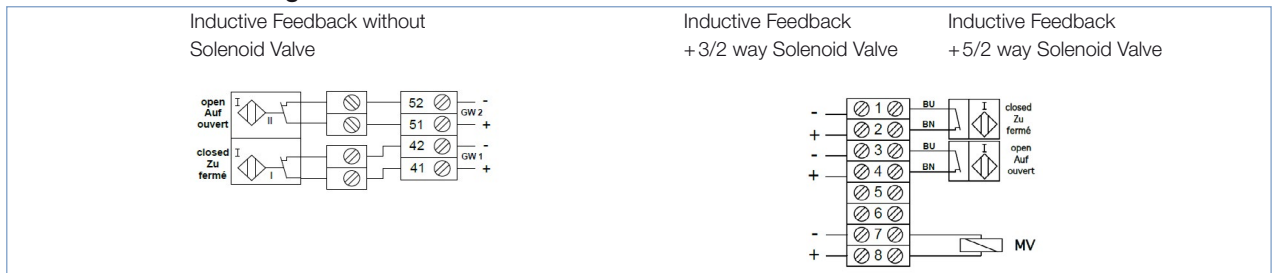
Technical Data	Inductive Feedback without Solenoid Valve	Inductive Feedback + 3/2 way Solenoid Valve	Inductive Feedback + 5/2 way Solenoid Valve
Housing and Seal			
Housing material	Aluminium	Aluminium	Aluminium
Base (powder-coated)	RAL9005	RAL9005	RAL9005
Cover (powder-coated)	RAL7016	RAL7016	RAL7016
Seal	PUR	PUR	PUR
Dome	Polycarbonate	Polycarbonate	Polycarbonate
Ingress Protection (Housing)	IP65	IP65	IP65
Limit Switch			
Manufacturer	Pepperl + Fuchs	Pepperl + Fuchs	Pepperl + Fuchs
Type	NBB2-V3-E2 Inductive sensor	NBB2-V3-E2 Inductive sensor	NBB2-V3-E2 Inductive sensor
Voltage	10 – 30 V DC	10 – 30 V DC	10 – 30 V DC
Operating current	0 up to 100 mA	0 up to 100 mA	0 up to 100 mA
Output	Short-circuit and pole protected	Short-circuit and pole protected	Short-circuit and pole protected
Switching precision	< 1.5°	< 1.5°	< 1.5°
System connection	Cable gland M20 x 1.5	Cable gland M20 x 1.5	Cable gland M20 x 1.5
Terminals	Clamp range 8 up to 13 mm	Clamp range 8 up to 13 mm	Clamp range 8 up to 13 mm
Temperature	Screw terminal up to 2.5 mm ²	Screw terminal up to 2.5 mm ²	Screw terminal up to 2.5 mm ²
Temperature	-25 °C up to 70 °C	-10 °C up to 55 °C	-10 °C up to 55 °C
Solenoid Valve			
Bürkert Type	-	6524 (ID-No. 207505 [☞])	6525 (ID-No. 207485 [☞])
Ways	-	3/2	5/2
Operating Voltage	-	24 V DC	24 V DC
Nominal Power	-	0.8 W	0.8 W
Nominal width	-	4 mm	4 mm
Supply / Exhaust air	-	G ¼, G ½	G ¼, G ½
Article no.			
	773152 [☞]	773141 [☞]	773142 [☞]

1061 with Inductive Feedback - ATEX Version

Dimensions



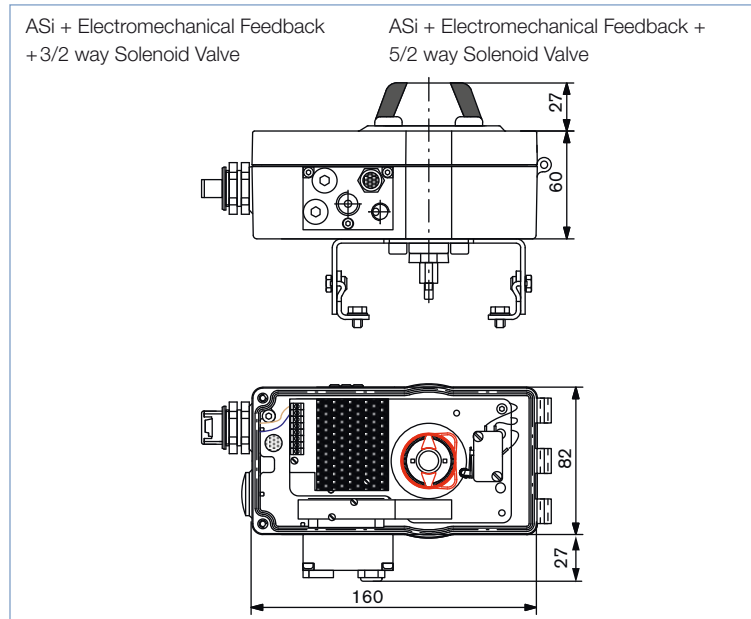
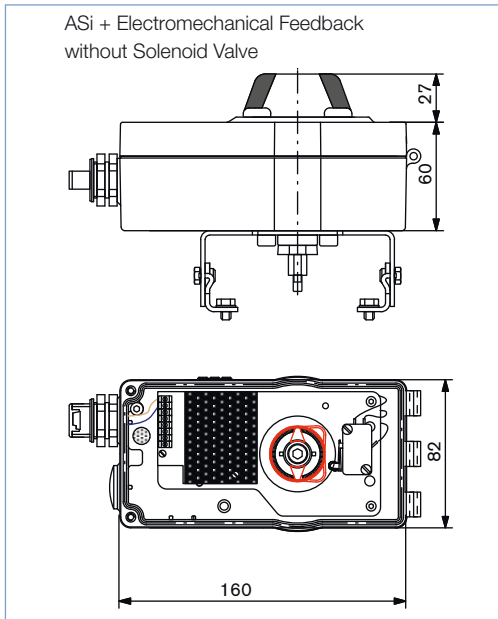
Terminal connection diagramm



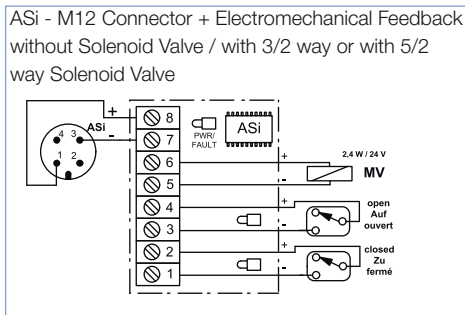
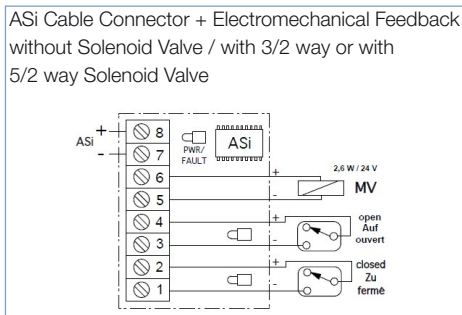
Technical Data	Inductive Feedback without Solenoid Valve	Inductive Feedback + 3/2 way Solenoid Valve	Inductive Feedback + 5/2 way Solenoid Valve
Housing and Seal			
Housing material	Aluminium	Aluminium	Aluminium
Base (powder-coated)	RAL9005	RAL9005	RAL9005
Cover (powder-coated)	RAL7016	RAL7016	RAL7016
Seal	PUR	PUR	PUR
Dome	Polycarbonate	Polycarbonate	Polycarbonate
Ingress Protection (Housing)	IP65	IP65	IP65
Limit Switch			
Manufacturer	Pepperl + Fuchs	Pepperl + Fuchs	Pepperl + Fuchs
Type	P+F NJ2-V3-N Inductive sensor	P+F NJ2-V3-N Inductive sensor	P+F NJ2-V3-N Inductive sensor
Voltage	8.2 V DC (1000 Ω)	8.2 V DC (1000 Ω)	8.2 V DC (1000 Ω)
Current consumption	≥ 3 mA (not activated) ≤ 1 mA (activated)	≥ 3 mA (not activated) ≤ 1 mA (activated)	≥ 3 mA (not activated) ≤ 1 mA (activated)
Output	Short-circuit and pole protected	Short-circuit and pole protected	Short-circuit and pole protected
Switching precision	< 1.5°	< 1.5°	< 1.5°
System connection	Cable gland M20 × 1.5 Clamp range 8 up to 13 mm	Cable gland M20 × 1.5 Clamp range 8 up to 13 mm	Cable gland M20 × 1.5 Clamp range 8 up to 13 mm
Terminals	Screw terminal up to 2.5 mm ²	Screw terminal up to 2.5 mm ²	Screw terminal up to 2.5 mm ²
Temperature	-25 °C up to 70 °C	-10 °C up to 55 °C	-10 °C up to 55 °C
Solenoid Valve			
Bürkert Type	-	6524 (ID-No.184560)	6525 (ID-No. 184564)
Ways	-	3/2	5/2
Electrical resistance	-	320 Ω	320 Ω
Min. Operating current	-	29 mA	29 mA
Power consumption	-	0.3 W	0.3 W
Nominal width	-	4 mm	4 mm
Supply / Exhaust air	-	G ¼, G ½	G ¼, G ½
ATEX Classification			
	Ⓜ II 2G Ex e ia IIC T6 Gb EC-type examination certificate PTB 10 ATEX 1061 X	Ⓜ II 2G Ex ia IIC T6 Gb EC-type examination certificate PTB 00 ATEX 2032 X (Sensor) PTB 07 ATEX 2048 (Solenoid Valve)	
Article no.			
	773153	773143	773144

1061 with Electromechanical Feedback - AS-Interface

Dimensions



Terminal connection diagramm



Programming informations

Pofile: S-D.A.E
 IO-Code: D
 ID-Code: A
 ID1-Code: 7
 ID2-Code: E

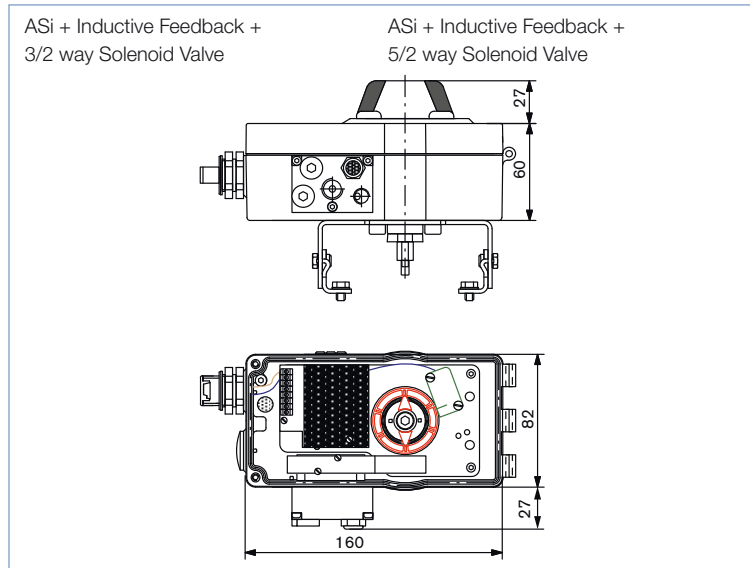
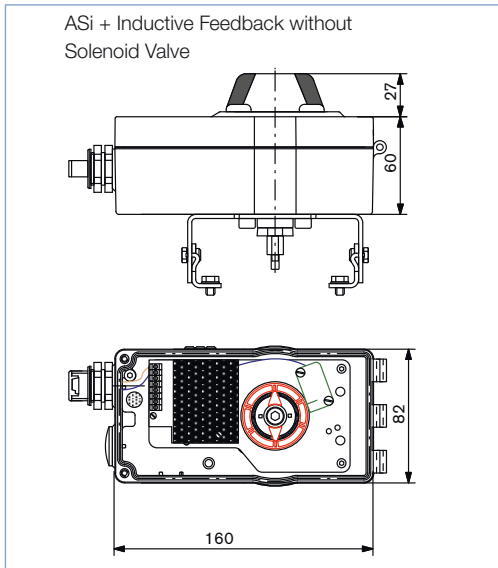
62 Slaves

Technical Data	ASi + Electromechanical Feed-back without Solenoid Valve	ASi + Electromechanical Feed-back +3/2 way Solenoid Valve	ASi + Electromechanical Feed-back +5/2 way Solenoid Valve
Housing and Seal			
Housing material	Aluminium	Aluminium	Aluminium
Base (powder-coated)	RAL9005	RAL9005	RAL9005
Cover (powder-coated)	RAL7016	RAL7016	RAL7016
Seal	PUR	PUR	PUR
Dome	Polycarbonate	Polycarbonate	Polycarbonate
Ingress Protection	IP65	IP65	IP65
Limit Switch & AS-Interface			
Manufacturer	Crouzet	Crouzet	Couzet
Type	83.161.8 Micro switch	83.161.8 Micro switch	83.161.8 Micro switch
Contacts	gold	gold	gold
Plug-in Card	ASi - 2 Inputs, 1 Output	ASi - 2 Inputs, 1 Output	ASi - 2 Inputs, 1 Output
Voltage	26.5 - 31. V DC	26.5 - 31. V DC	26.5 - 31. V DC
Switching precision	< 1.5°	< 1.5°	< 1.5°
System connection	ASi cable connector	M12-connector, male, 4 pin	ASi cable connector
Terminals	Screw terminal up to 1.5 mm ²	Screw terminal up to 1.5 mm ²	Screw terminal up to 1.5 mm ²
Temperature	-10 °C up to 60 °C	-10 °C up to 55 °C	-10 °C up to 55 °C
Solenoid Valve			
Bürkert Type	-	6524 (ID-No. 207505)	6525 (ID-No. 207485)
Ways	-	3/2	5/2
Operating Voltage	24 V DC*	24 V DC	24 V DC
Nominal Power	max. 2.4 W*	0.8 W	0.8 W
Nominal width	-	4 mm	4 mm
Supply / Exhaust air	-	G ¼, G ½	G ¼, G ½
Article no.			
ASi cable connector	773149	773145	773146
M12-connector	773292	773288	773298

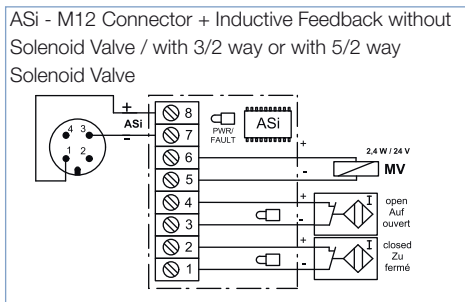
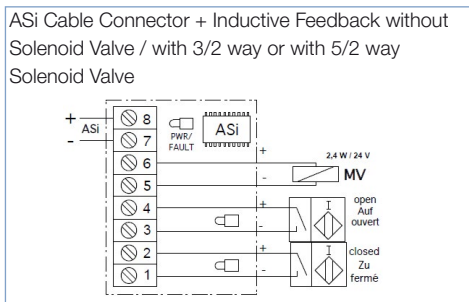
* if an extern solenoid valve should be connected

1061 with Inductive Feedback - AS-Interface

Dimensions



Terminal connection diagramm



Programming informations

Pofile: S-D.A.E
 IO-Code: D
 ID-Code: A
 ID1-Code: 7
 ID2-Code: E

62 Slaves

Technical Data	ASi + Inductive Feedback without Solenoid Valve	ASi + Inductive Feedback + 3/2 way Solenoid Valve	ASi + Inductive Feedback + 5/2 way Solenoid Valve
Housing and Seal			
Housing material	Aluminium	Aluminium	Aluminium
Base (powder-coated)	RAL9005	RAL9005	RAL9005
Cover (powder-coated)	RAL7016	RAL7016	RAL7016
Seal	PUR	PUR	PUR
Dome	Polycarbonate	Polycarbonate	Polycarbonate
Ingress Protection	IP65	IP65	IP65
Limit Switch & AS-Interface			
Manufacturer	Pepperl + Fuchs	Pepperl + Fuchs	Pepperl + Fuchs
Type	NBB2-V3-E2 Inductive sensor	NBB2-V3-E2 Inductive sensor	NBB2-V3-E2 Inductive sensor
Plug-in Card	ASi – 2 Inputs, 1 Output	ASi – 2 Inputs, 1 Output	ASi – 2 Inputs, 1 Output
Voltage	26.5 – 31. V DC	26.5 – 31. V DC	26.5 – 31. V DC
Switching precision	< 1.5°	< 1.5°	< 1.5°
System connection	ASi cable connector M12-connector, male, 4 pin	ASi cable connector M12-connector, male, 4 pin	ASi cable connector M12-connector, male, 4 pin
Terminals	Screw terminal up to 1.5 mm ²	Screw terminal up to 1.5 mm ²	Screw terminal up to 1.5 mm ²
Temperature	-25 °C up to 60 °C	-10 °C up to 55 °C	-10 °C up to 55 °C
Solenoid Valve			
Bürkert Type	-	6524 (ID-No. 207505)	6525 (ID-No. 207485)
Ways	-	3/2	5/2
Operating Voltage	24 V DC*	24 V DC	24 V DC
Nominal Power	max. 2.4 W*	0.8 W	0.8 W
Nominal width	-	4 mm	4 mm
Supply / Exhaust air	-	G ¼, G ½	G ¼, G ½
Article no.			
ASi cable connector	773150	773147	773148
M12-connector	773293	773290	773291

* if an extern solenoid valve should be connected

To find your nearest Bürkert facility, click on the orange box → www.burkert.com

In case of special application conditions, please consult for advice.

Subject to alteration.
 © Christian Bürkert GmbH & Co. KG

1806/5_EU-en_00891966