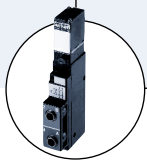


## Double pilot controlled check valve for realisation of the 5/3 way function with all parts blocked

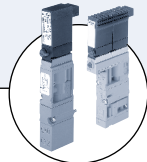
- Compact design
- For single valve or valve unit
- Fast reaction times
- High degree of tightness throughout service life
- With manual override

Type 0498 can be combined with...



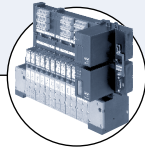
**Type 5470**

Solenoid valve



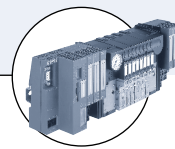
**Type 6524**

Tilting solenoid valve



**Type 8640**

Valve unit



**Type 8644**

Valve unit

Two check valves are integrated in Type 0498. If this double pilot controlled check valve is combined with two 3/2 way valves, a 5/3 way function with all parts blocked (circuit function L) can then be released.

### Technical data

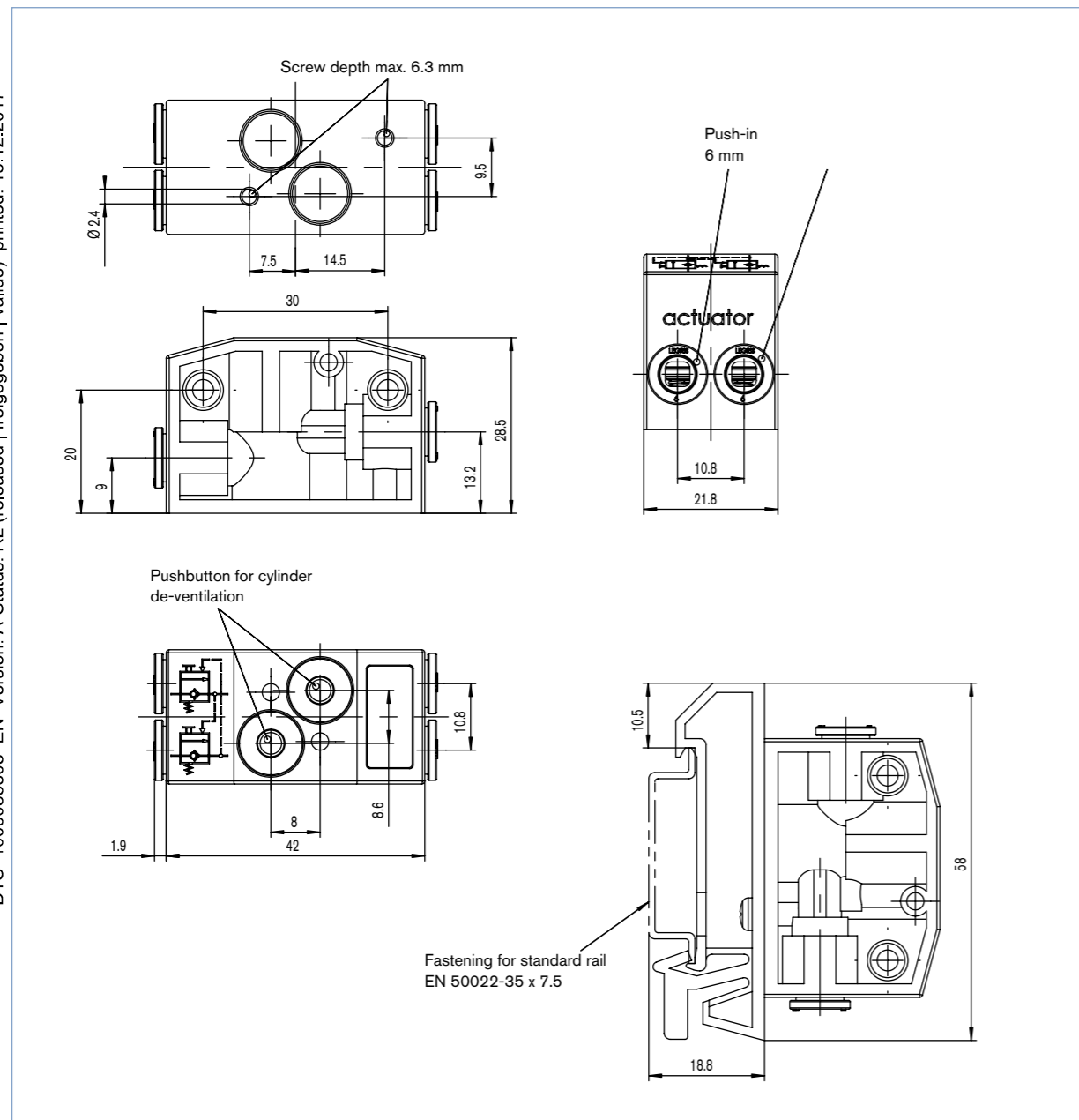
<b>Orifice</b>	DN4.0
<b>Material</b>	PA (polyamide)
<b>Seal material</b>	NBR
<b>Media</b>	compressed air oiled, oil-free, dry, neutral gases (5 µm filter recommended)
<b>Media temperature</b>	-10 ... +50 °C
<b>Ambient temperature</b>	-10 ... +55 °C
<b>Manual override</b>	Standard
<b>Pneumatic output</b>	Push-in 6 mm
<b>Weight</b>	33g (45g with mounting base)
<b>Mounting</b>	Circuit installation or optionally with mounting base
<b>Installation</b>	As required

<b>Flow-rate</b> Q <sub>Nn</sub> -value air [l/min]	measured at +20 °C, 6 bar pressure at valve inlet and 1 bar pressure difference
<b>Pressure values [bar]</b>	gauge pressures with respect to the prevailing atmospheric pressure
<b>Response times [ms]</b>	measured according to ISO 12238

Ordering chart

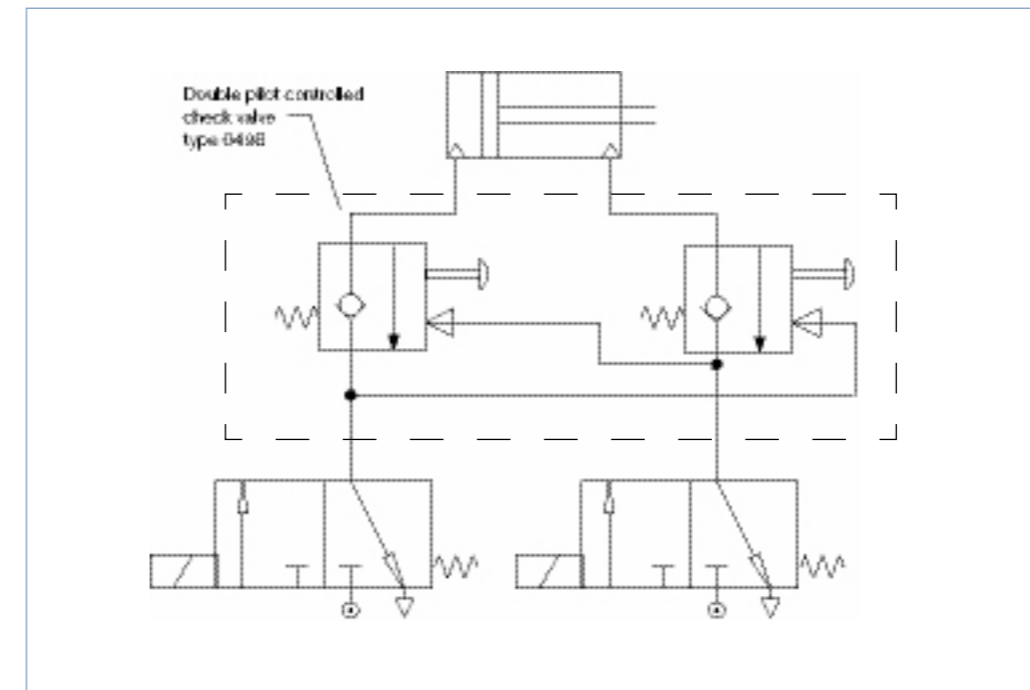
Version	Orifice [mm]	Port connection	Pressure range [bar]	Flow-rate [l/min]	Item no.
without mounting base	4	push-in 6 mm	2... 10	300	167126
with mounting base	4	push-in 6 mm	2... 10	300	167127

Dimensions [mm]



DTS 1000085808 EN Version: A Status: RL (released | freigegeben | validé) printed: 15.12.2017

Function demonstration



To find your nearest Bürkert facility, click on the orange box →

[www.burkert.com](http://www.burkert.com)

In case of special application conditions, please consult for advice.

We reserve the right to make technical changes without notice.

1712/1\_EU-en\_00891972