



2/2 way valve for medium up to +140 °C

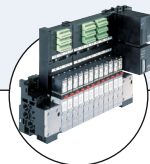
- Normally closed or open
- Body material: Brass, Stainless steel
- Double spindle seal
- Compact design

Type 0262 can be combined with...



Type 6012/6014P

Pilot valve



Type 8640/8644

Valve Block



Type 8645

Valve Block



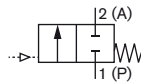
Type 8311

Pressure Sensor/Switch

The externally controlled valve is pneumatically operated. It consists of a diaphragm actuator and a 2-way valve body. The diaphragm actuator moves a spindle with valve disc against a spring and switches the valve. The spindle is designed glandless with double seal. The actuator body is made out of epoxy resin.

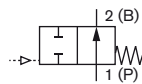
Circuit function A

2/2 way valve, operated by external air, normally closed



Circuit Function B

2/2 way valve, operated by external air, normally open

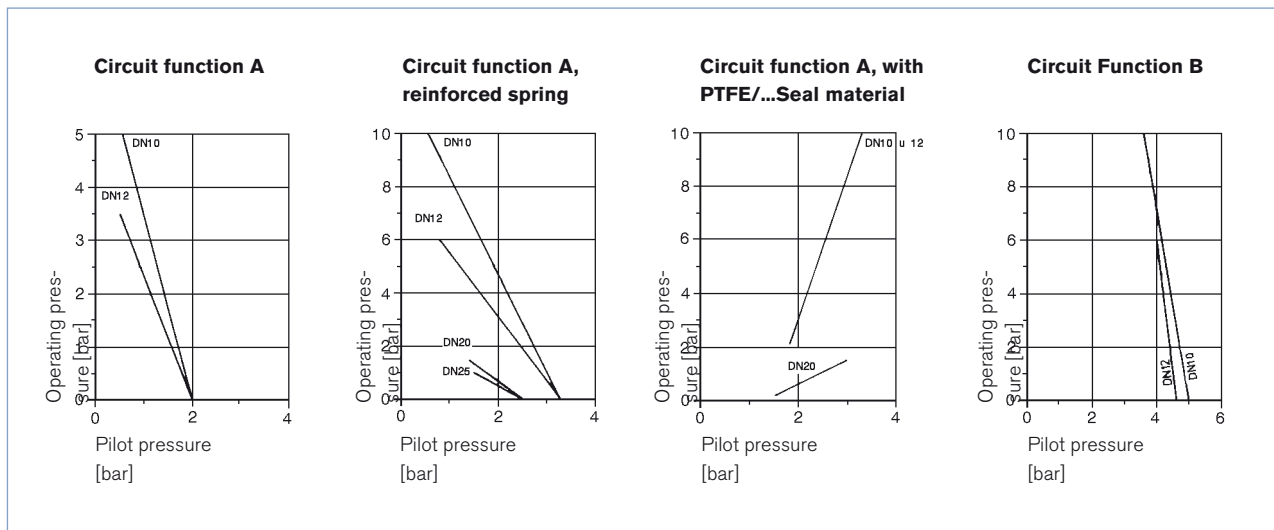


Technical data	
Body material	Brass, stainless steel
Inner part valve	Stainless steel
Actuator	Epoxy resin
Seal material	NBR, FKM, PTFE/FKM, EPDM, PTFE/EPDM
Medium	
NBR	neutral medium (e.g. compressed air, town gas, water, hydraulic oil)
FKM	per-solution, oxygen, hot air
EPDM	oil and fat-free medium e.g. hot water, alkaline washing and bleaching lyes
PTFE/EPDM (PTFE seal with EPDM O-Ring)	oil and fat-free medium, e.g. hot water and steam
PTFE/FKM (PTFE seal with FKM O-Ring)	hot oils, hydrocarbonated water, aromatics and steam
Viscosity	max. 100 mm ² /s
Medium temperature	
NBR	- 10 up to +90 °C
FKM	- 10 up to +100 °C
EPDM	- 10 up to +100 °C
PTFE/EPDM	- 10 up to +140 °C
PTFE/FKM	- 10 up to +140 °C
Control medium	neutral gases and liquids, in particular air, water, hydraulic liquids up to max. +90 °C
Pilot pressure	see diagram
Ambient temperature	- 10 up to +90 °C
Installation	As required, preferably with actuator upright
Flow rate	
K _v value water [m ³ /h]:	measured at +20 °C, 1 bar pressure at valve inlet and free outlet
Pressure values [bar]	Measured as overpressure to the atmospheric pressure
Response times [ms]:	Measured at valve outlet at 6 bar and +20 °C.
Opening	Pressure relief 0 90%
Closing	Pressure drop 100 to 10%

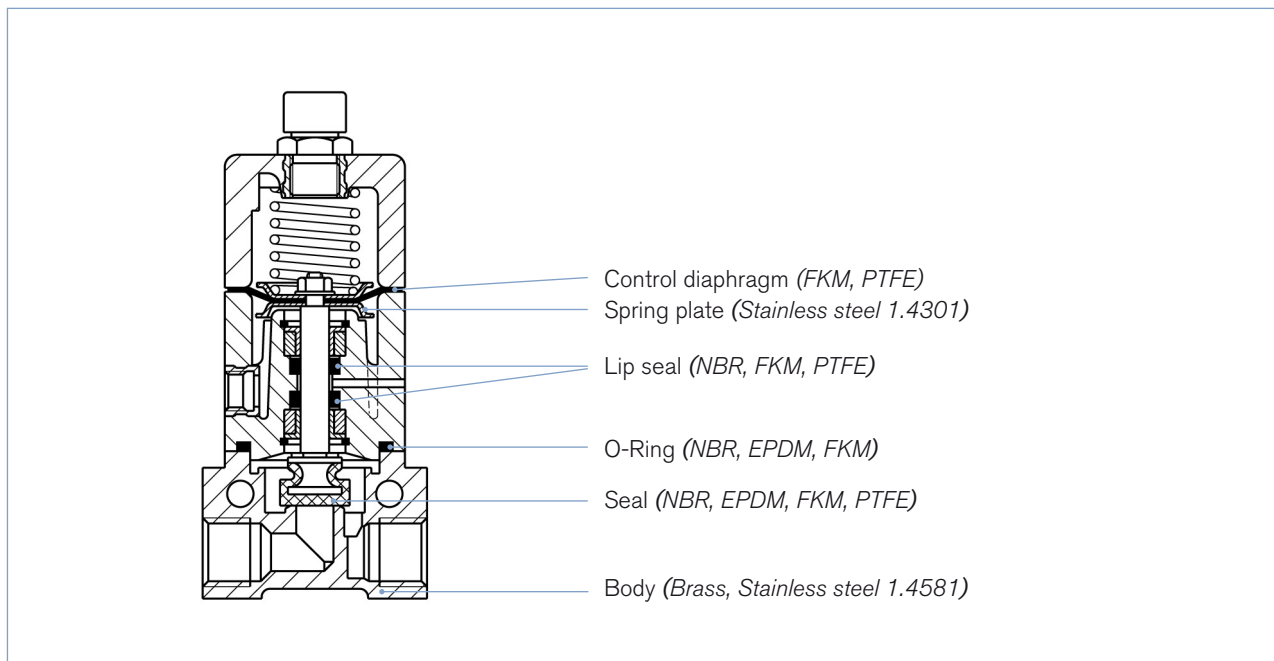
Technical data *continued*

Orifice [mm]	K _v value water [m ³ /h]	Port connection	Pressure range of circuit function			Weight [kg]
			A normal spring [bar]	A reinforced spring [bar]	B normal spring [bar]	
10	1.0	G 3/8	0-5	0-10	0-10	0.5
12	2.1	G 1/2	0-3.5	0-6	0-10	0.6
20	6.5	G 3/4	–	0-1.5	0-1.5	1.0
25	10.0	G 1	–	0-1	0-1	1.4

Operating pressure chart - pilot pressure



Material

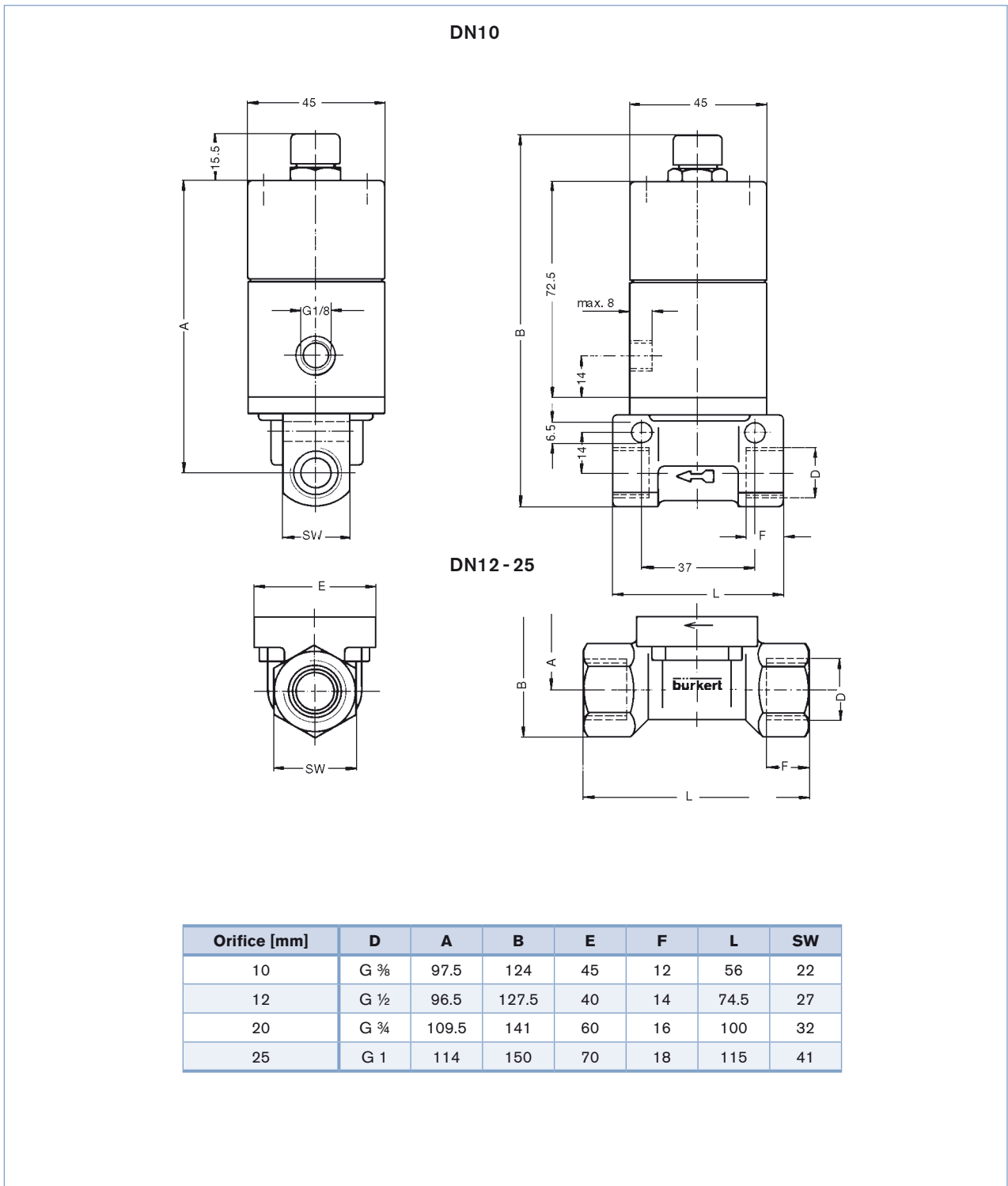


Ordering chart for valves (other versions on request)

Valves with threaded port connection

Circuit function	Orifice [mm]	Port connection	K _v value water [m ³ /h]	Spring	Pressure range [bar]	Seal material	Article no.			
Brass body										
A	10	G ¾	1.0	normal	0-5	EPDM	026059			
						FKM	026257			
						NBR	026287			
				reinforced	0-10	EPDM	027400			
						FKM	026459			
						NBR	027643			
	normal	0-3.5	2.1	normal	0-3.5	EPDM	027545			
						FKM	026088			
						NBR	027734			
	12	G ½	2.1	reinforced	0-6	EPDM	026079			
						FKM	027926			
						NBR	027991			
				normal	0-1.5	6.5	reinforced	0-1.5	PTFE/EPDM	026200
									PTFE/FKM	028004
									EPDM	028211
20	G ¾	6.5	reinforced	0-1.5	FKM	028046				
					NBR	028072				
					EPDM	029106				
25	G 1	10.0	reinforced	0-1	FKM	028410				
					NBR	028071				
					EPDM	028410				
B	10	G ¾	1.0	normal	0-10	EPDM	026812			
						FKM	027891			
						NBR	026290			
	12	G ½	2.1	normal	0-10	EPDM	027988			
						FKM	026715			
						NBR	026298			
	20	G ¾	6.5	normal	0-1.5	EPDM	028557			
						FKM	027773			
						NBR	027639			
	Stainless steel body									
	A	12	G ½	2.1	reinforced	0-6	EPDM	028080		
							PTFE/FKM	027557		

Dimensions [mm]



To find your nearest Bürkert facility, click on the orange box → www.burkert.com

In case of special application conditions,
please consult for advice.

Subject to alterations
© Christian Bürkert GmbH & Co. KG

1803/2_EU-en_00891616