

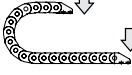
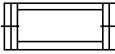
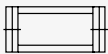
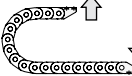
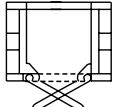
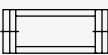
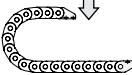
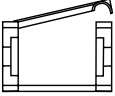
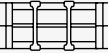
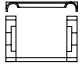
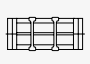
CPS Series

Mini Cable Chain

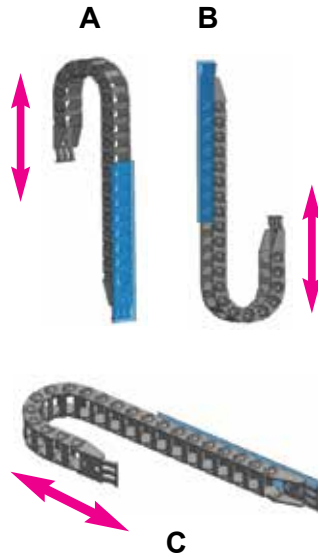
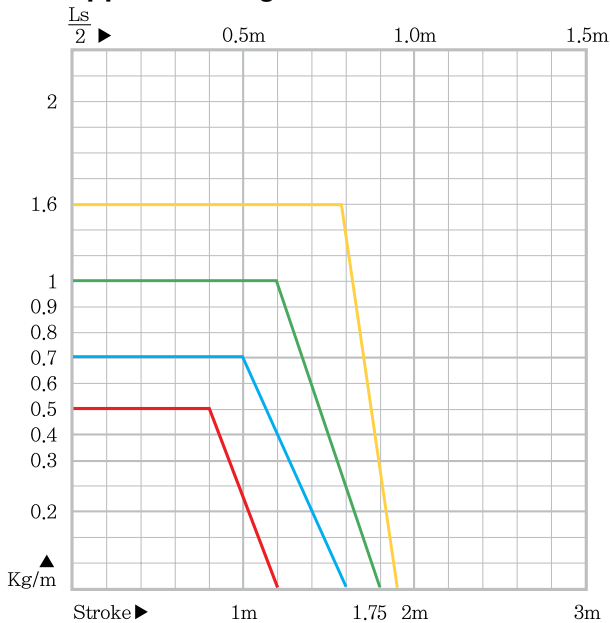


Ordering Information

CPS 015 . 10 . R28 / B2 - (XXX mm)
 ① ② ③ ④ Length

① CPS Cable-chain	② Inner Width	③ Bending Radius	④ Bracket Type	Size (Unit : mm)				Frame type	Section - composition	Weight (kg/m)
				A	B	C	D			
015	6	18	 B1	12.6	13	6	10			0.100 0.106 0.111 0.115
	10	28		16.6		10				
	15	38		21.6		15				
	20			26.6		20				
020	15	28	 B2	24	20	15	14.5			0.245 0.260 0.285 0.310
	20	38		29		20				
	30	48		39		30				
	40			49		40				
030	15	38	 B3	29	26	15	19			0.380 0.400 0.420 0.440
	25	48		39		25				
	35	75		49		35				
	50	100		64		50				
033	27	35	E (S-EEB033)	45	31	27	23			0.550 0.590 0.610 0.680 0.700
	37	45		55		37				
	47	75		65		47				
	67	100		85		67				
	77	120		95		77				

Unsupported Length



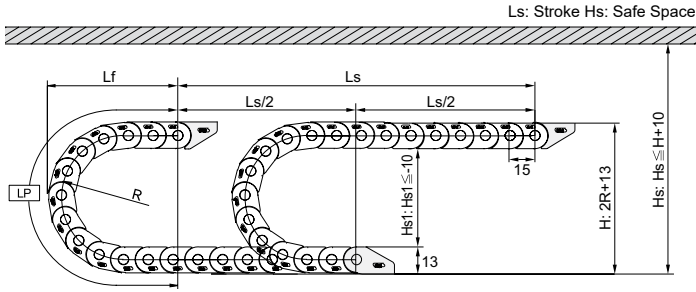
Specifications

Material	Polyamide with reinforced glass fiber: UL94-HB
Noise Range	40dB
Speed	3m/s
Acceleration	10m/s ²
Temperature	-30°C~+130°C
Special Production	ESD, UV
Certificate	CE, ATEX(Ex), RoHs

Other Length Restrictions

Type	Vertical standing (Max) A	Vertical Hanging (Max) B	Side Mounted Unsupported (Max) C
CPS 015	0.8m	3.0m	0.2m
CPS 020	1.0m	5.0m	0.5m
CPS 030	1.5m	10.0m	0.6m
CPS 033	1.5m	10.0m	0.6m

CPS 015 Series



Calculation of the chain length

$$[L = \frac{L_s}{2} + L_p]$$

(Unit : mm)

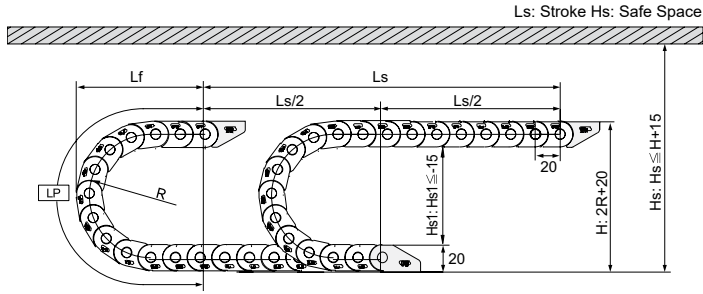
Bending Radius (R)	L p Loop Length	L f Loop Projection	H Moving Height
18	117	55	49
28	148	65	69
38	180	75	89

(Unit : mm)

Models	Frame	Part Number	Mounting Bracket (Tie Wrap Type)	
			Moving End	Fixing End
CPS015.06		S-TEB015.06		
CPS015.10		S-TEB015.10		
CPS015.15		S-TEB015.15		
CPS015.20		S-TEB015.20		

CPS 020 Series

Calculation of the chain length



$$[L = \frac{L_s}{2} + L_p]$$

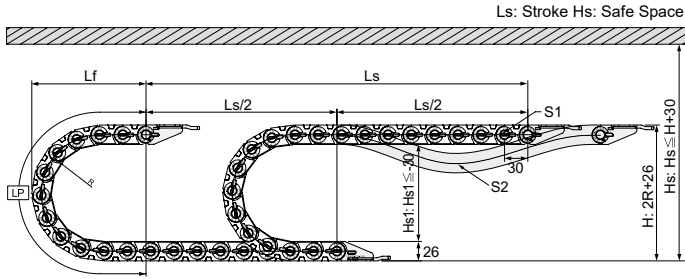
(Unit : mm)

Bending Radius (R)	L p Loop Length	L f Loop Projection	H Moving Height
28	170	78	76
38	200	88	96
48	230	98	116

(Unit : mm)

Models	Frame	Part Number	Mounting Bracket (Tie wrap type)	
			Moving End	Fixing End
CPS020.15		S-TEB020.15		
CPS020.20		S-TEB020.20		
CPS020.30		S-TEB020.30		
CPS020.40		S-TEB020.40		

CPS 030 Series



Calculation of the chain length

$$[L = \frac{L_s}{2} + L_p]$$

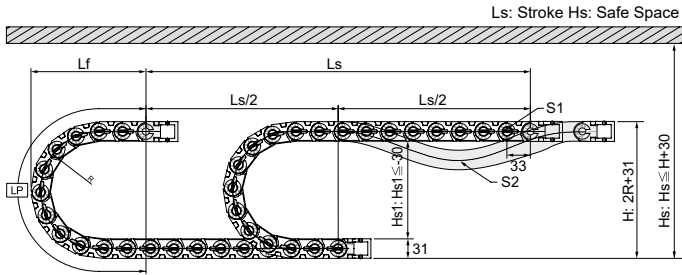
(Unit : mm)

Bending Radius (R)	L _p Loop Length	L _f Loop Projection	H Moving Height
38	240	110	101
48	271	119	121
75	356	148	175
100	434	173	225

(Unit : mm)

Models	Frame	Part Number	Mounting Bracket (Tie Wrap Type)	
			Moving End	Fixing End
CPS030.15		S-TEB030.15		
CPS030.25		S-TEB030.25		
CPS030.35		S-TEB030.35		
CPS030.50		S-TEB030.50		

CPS 033 Series

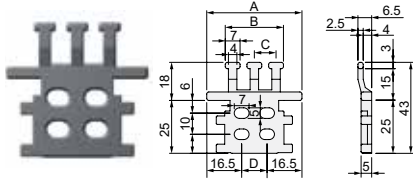


Calculation of the chain length

$$[L = \frac{Ls}{2} + Lp]$$

(Unit : mm)

Bending Radius (R)	L p Loop Length	L f Loop Projection	H Moving Height
35	242	117	101
45	274	127	121
75	368	157	181
100	446	182	231
120	509	202	271



Tie wrap (TW)

(Unit : mm)

Tie wrap to prevent damage of the cable by twisting & pulling movements can be used as assembling with bracket or separating from the bracket at end position of chain.

Ordering No.	A	B	C	D
S-TW033/20CR.27	45.0	27.5	10.20	12.0
S-TW033/20CR.37	55.0	41.0	8.50	22.0
S-TW033/20CR.47	65.0	48.0	10.40	32.0
S-TW033/20CR.67	85.0	68.0	10.00	52.0
S-TW033/20CR.77	95.0	78.0	8.87	62.0

(Unit : mm)

Models	Frame
CPS033.27	
CPS033.37	
CPS033.47	
CPS033.67	
CPS033.77	

S-EEB033	End Bracket Moving End	End Bracket Fixing End
Easy Mounting bracket		
Easy Mounting Bracket (Tie wrap type)		
Front End		

	CPS033.27	CPS033.37	CPS033.47	CPS033.67	CPS033.77
A Width(Outer)	45	55	65	85	95
B Height(Outer)	31				
C Frame	27	37	47	67	77
D Height(Inner)	23				
E Hole width (Tie wrap type only)	12	22	32	52	62